



222 Broadway New York, NY 10038
 (800) 205-7216
 thriveagritech.com
 info@thriveagritech.com



APEX

LED Light Bar

APEX is a 300W LED Light Bar designed to optimize plant growth and yield in warehouses and greenhouses

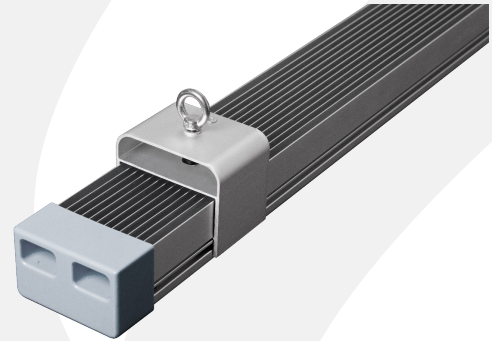
APPLICATIONS & FEATURES

- Cannabis flower & veg up to 1,000 $\mu\text{mol}/\text{m}^2/\text{sec}$
- Greenhouse supplemental lighting
- 0-10V dimming
- Simple wiring & daisy-chaining
- Passive cooling (no fans or water)
- 5-Year Warranty

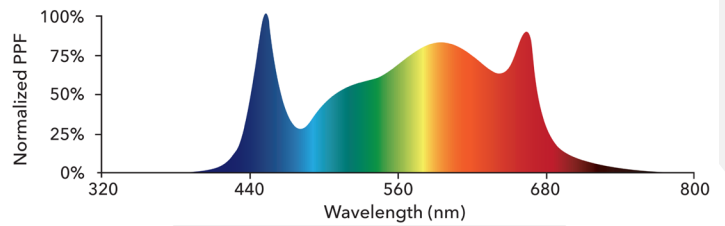
SPECIFICATIONS

- APX-FS2-120
- 300W
- 2.6 $\mu\text{mol}/\text{joule}$ efficiency
- Weight 12.8 lbs (5.8 kg)
- 110V-277V or 347V-480V
- Power Factor > 0.9
- IP66, ETL, UL8800, DLC Listed
- 40,000 Hour Lifetime (Q90/B20)
- 35C max ambient temperature

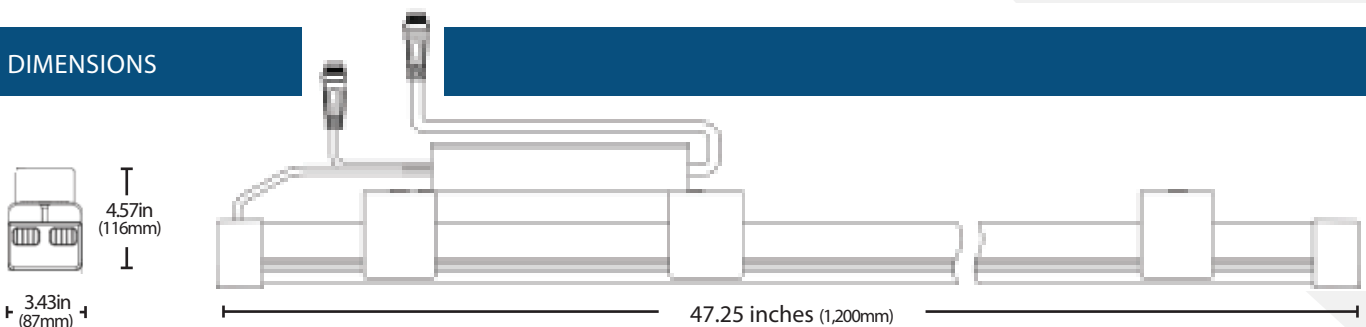
BEAM ANGLE: 120 DEGREES



FULL SPECTRUM WHITE



DIMENSIONS



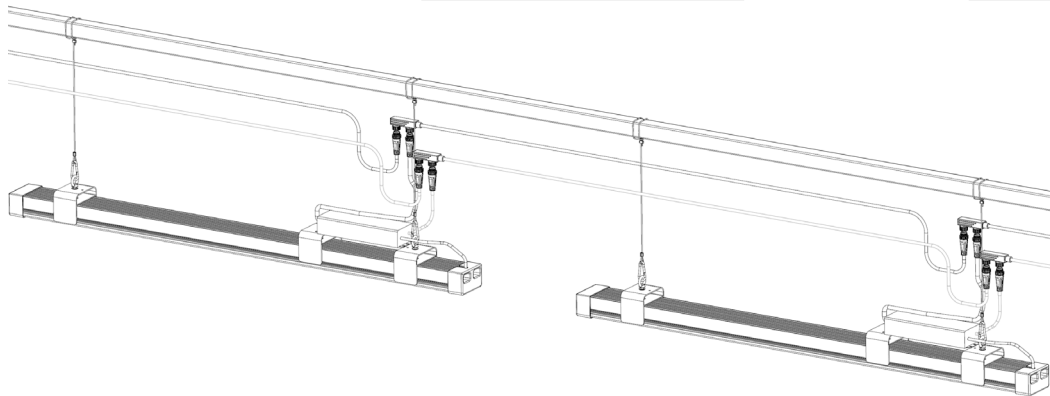


APEX

LED Light Bar

WIRING & INTERCONNECTION

APEX LED light bars can be electrically connected with interconnection cables for both power and dimming. See installation manual for detailed instructions.



MAXIMUM DAISY-CHAIN

Voltage	Max # of connected lights	Current / Fixture
110	3	2.50A
240	6	1.25A
277	7	1.08A
347	9	0.87A
480	12	0.63A

LIGHTING LAYOUTS

Lighting layouts for a variety of horticulture applications are available, if you need a customized lighting layout please contact our customer support team. (800) 205-7216 • thriveagritech.com • info@thriveagritech.com

